

CHLQ23. The series of electrical connectors have the characteristics of environmental resistance, five-key positioning, anti-insertion, and bayonet quick connection.



Localized model: ZH23 / MNK23

Technical performance

- ⊙ Ambient temperature: -60°C~+200°C (highest 200°C)
- ⊙ Vibration: 1-5000Hz Acceleration ≤ 40g
- ⊙ Shock acceleration multiple times 150g, once 500g
- ⊙ Medium pressure resistance:

Grade	Operating Voltage(v)	Test voltage(v)
A	700	2100
B	500	1850
C	400	1600

- ⊙ Technical conditions: GEO.364.241TY
- ⊙ Specification: Q/3E 20005-2003
- ⊙ Resistant to salt spray: 96h
- ⊙ Relative humidity: 30°C~60°C 92%~98%
- ⊙ Insulation resistance: ≥ 5000MΩ
- ⊙ Mechanical life: 500 cycles

⊙ Contact current:

Ø1.0	Ø1.5	Ø2.0
11A	20A	35A

⊙ Early contact resistance:

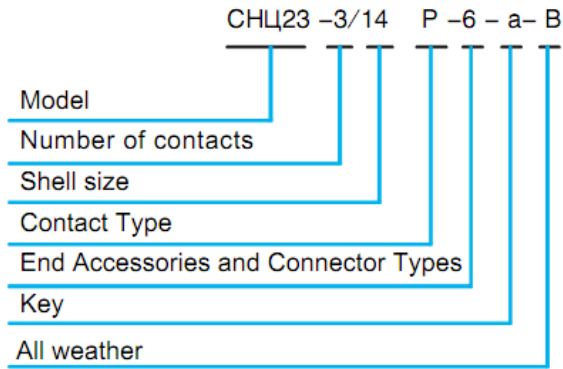
Ø1.0	Ø1.5	Ø2.0
≤ 7.4mΩ	≤ 2.5mΩ	≤ 1.6mΩ

Marking Description

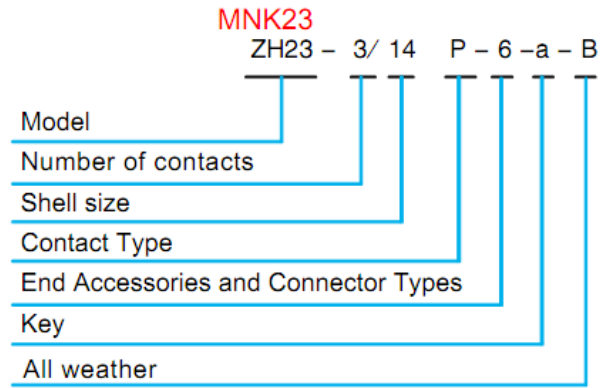
Num.	Code meaning	Russian code	China (117) code
1	Model	CHLQ23	ZH23 / MNK23
2	Total number of contacts	3, 4, 7, 10, 19, 24, 28, 32, 41, 43, 45, 55, 61	3, 4, 7, 10, 19, 24, 28, 32, 41, 43, 45, 55, 61
3	Shell standard size (mm)	14, 18, 22, 24, 27, 30, 33, 36, 39	14, 18, 22, 24, 27, 30, 33, 36, 39
4	Contact Type	B(Needle) P(Perforation)	B(Needle) P(Perforation)
5	Tail attachment and connector type code	1-Receptacle with Simple Tail Attachment 2-Receptacles with Straight Clamp Ends 4-Receptacles with angled cable tails 6-Plugs with straight-clamp tails 8-Plugs with angled cable tails 11-Plug with short end attachment 12-Receptacle with Type 09 Thermoplastic Sleeve Backing 13-Plug with Type 09 Thermoplastic Sleeve Backing 15-Socket with Type 05 Shielded Straight Tail (Memory Ring) 16-Plug with Type 05 Shielded Straight Tail (Memory Ring)	17-Receptacle with Type 06 Shielded Angled Tail (Memory Ring) 18-Plug with Type 06 Shielded Angled Tail (Memory Ring) 19-Receptacle with Type 07 Shielded Simple Tail 20-Plug with Type 07 Shielded Simple Tail 21-Receptacle with Type 08 Shielded Straight Clamp End 22-Plug with Type 08 Shielded Straight Clamp End 25-Receptacle with Type 10 Shielded Angled Tail 26-Plug with Type 10 Shielded Angled Tail 27-Receptacle with Type 11 Shielded Flex Cable Tail Attachment 28-Plug with Type 11 Shielded Angled Wire Tail Attachment
6	Key number	Unmarked - Standard Keys a, σ, B, r	Unmarked - Standard Keys a, b, c, d
7	Weather conditions: all-weather	B	

Example:

Russian:



China:



Tail attachment marking instructions (Tail accessories can be ordered separately)

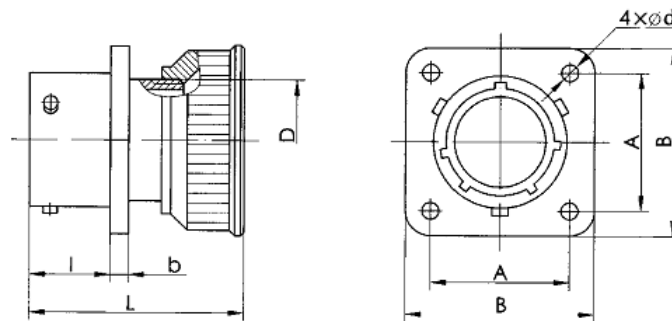
Main name	ZH23 / MNK23	N	-05	-33
Surface finish	<p>N-Indicates that the shell is nickel plated J-Indicates that the case is cadmium plated</p>			
Attachment type	<p>05-Shielded Straight Tail Attachment (with Memory Ring) 06-Shielded Angled Tail Attachment (with Memory Ring) 07-Shield Tail Attachment (Simplified) 08-Shielded Straight Clip Cable Tail Accessories 09-Thermoplastic Tube Tail Attachment 10-Shielded Angled Tail Attachment 11-Shielded Angled Wire Tail Attachment</p>			
Shell size	<p>14, 18, 22, 24, 27, 30, 33, 36, 39</p>			

Key angle

Model num.	a、(a)	σ、(b)	B、(c)	Γ (d)	No sign	Model num.	a、(a)	σ、(b)	B、(c)	Γ (d)	No sign
3/14	160				0	28/27	45	150	195		0
4/14		135			0	32/27	45	135		270	0
7/18	90				0	24/30	90	135	200		0
10/18		70			0	41/30	45	90			0
7/22	80	170	225		0	32/33	90	120			0
10/22		100	195		0	55/33	75	90		165	0
19/22	30		225		0	43/36	90	135	200	250	0
19/24	30	120	245		0	61/36	90	160	190		0
19/27	30	195			0	45/39	90	180	270	315	0

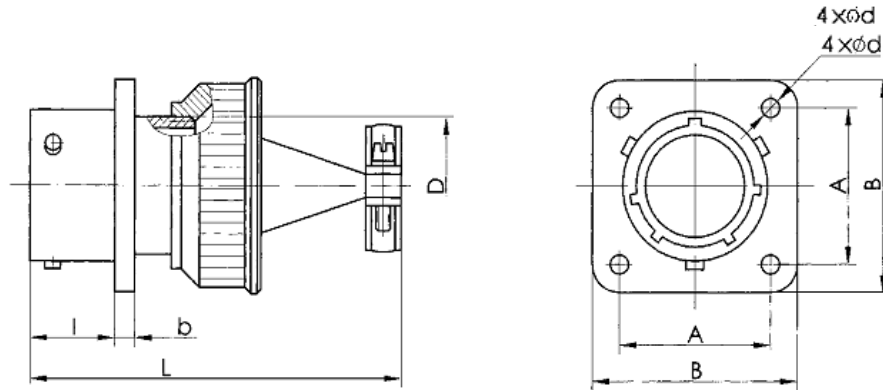
Outline installation dimension

☉ 1-Receptacle with Simple Tail Attachment



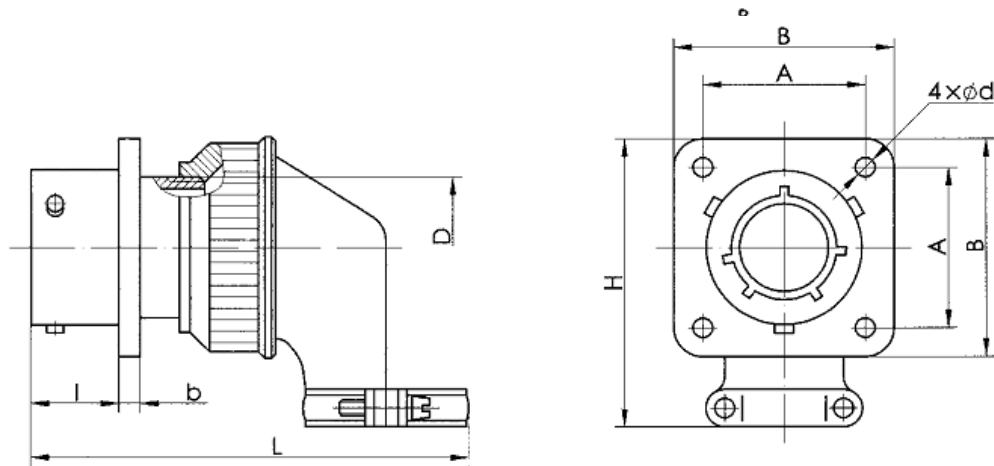
Model number	Dimensions mm						
	A	B	D	dmin	l	bmax	L
CHL23-4/14B(P)-1-B	16.5	21.7	14	2.2	11.3	1.4	32.5
CHL23-3/14B(P)-1-B							
CHL23-10/18B(P)-1-B	19.5	25.9	18.5	3.2		1.8	
CHL23-7/18B(P)-1-B							
CHL23-19/22B(P)-1-B	23	29.4	21.7	14.5		2.15	
CHL23-10/22B(P)-1-B							
CHL23-7/22B(P)-1-B	25	31.4	24.85	15.3			
CHL23-19/24B(P)-1-B							
CHL23-32/27B(P)-1-B	27	33.4	26.3	15.3			
CHL23-19/27B(P)-1-B							
CHL23-28/27B(P)-1-B	31	37.8	29.5	15.3			
CHL23-41/30B(P)-1-B							
CHL23-24/30B(P)-1-B	34	41.5	32.6	15.3			
CHL23-55/33B(P)-1-B							
CHL23-32/33B(P)-1-B	36.5	44.5	35.8	15.3			
CHL23-61/36B(P)-1-B							
CHL23-43/36B(P)-1-B	40	46.4	39	15.3			
CHL23-45/39B(P)-1-B							

◎ 2- Receptacles with Straight Clamp Ends



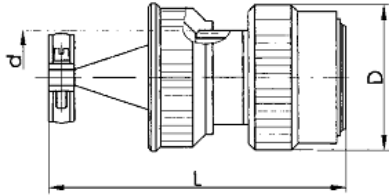
Model number	Dimensions mm						
	A	B	D	dmin	l	bmax	L
CHL23-4/14B(P)-2-B	16.5	21.7	14	2.2	11.3	1.4	42
CHL23-3/14B(P)-2-B							
CHL23-10/18B(P)-2-B							
CHL23-7/18B(P)-2-B	19.5	25.9	18.5	3.2	11.3	1.8	48
CHL23-19/22B(P)-2-B							
CHL23-10/22B(P)-2-B							
CHL23-7/22B(P)-2-B	23	29.4	21.7	3.2	11.3	1.8	48
CHL23-19/24B(P)-2-B							
CHL23-32/27B(P)-2-B							
CHL23-19/27B(P)-2-B	27	33.4	26.3	3.2	11.3	1.8	48
CHL23-28/27B(P)-2-B							
CHL23-41/30B(P)-2-B							
CHL23-24/30B(P)-2-B	31	37.8	29.5	3.2	14.5	2.15	50
CHL23-55/33B(P)-2-B							
CHL23-32/33B(P)-2-B							
CHL23-61/36B(P)-2-B	36.5	44.5	35.8	3.2	15.3	2.15	50
CHL23-43/36B(P)-2-B							
CHL23-45/39B(P)-2-B							
CHL23-40/39B(P)-2-B	40	46.4	39	3.2	15.3	2.15	50

◎ 4- Receptacles with angled cable tails

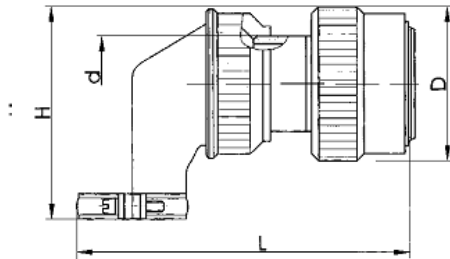


Model number	Dimensions mm							
	A	B	D	dmin	l	bmax	H	L
CHL23-4/14B(P)-4-B	16.5	21.7	14	2.2	11.3	1.4	69	69
CHL23-3/14B(P)-4-B								
CHL23-10/18B(P)-4-B	19.5	25.9	18.5					
CHL23-7/18B(P)-4-B								
CHL23-19/22B(P)-4-B								
CHL23-10/22B(P)-4-B	23	29.4	21.7					
CHL23-7/22B(P)-4-B								
CHL23-19/24B(P)-4-B	25	31.4	24.85					
CHL23-32/27B(P)-4-B								
CHL23-19/27B(P)-4-B	27	33.4	26.3	3.2				
CHL23-28/27B(P)-4-B								
CHL23-41/30B(P)-4-B	31	37.8	29.5					
CHL23-24/30B(P)-4-B								
CHL23-55/33B(P)-4-B	34	41.5	32.6					
CHL23-32/33B(P)-4-B								
CHL23-61/36B(P)-4-B	36.5	44.5	35.8					
CHL23-43/36B(P)-4-B								
CHL23-45/39B(P)-4-B	40	46.4	39					

◎ 6- Plugs with straight-clamp tails



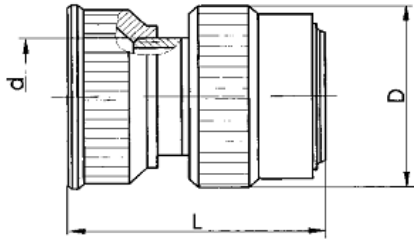
◎ 8- Plugs with angled cable tails



Model number	Dimensions mm		
	Dmax	d	L
CHL23-4/14B(P)-6-B	22.6	14	50
CHL23-3/14B(P)-6-B			
CHL23-10/18B(P)-6-B	26	18.5	
CHL23-7/18B(P)-6-B			
CHL23-19/22B(P)-6-B	29.7	21.7	
CHL23-10/22B(P)-6-B			
CHL23-7/22B(P)-6-B			
CHL23-19/24B(P)-6-B	32.9	24.85	
CHL23-32/27B(P)-6-B	35.3	26.3	
CHL23-19/27B(P)-6-B			
CHL23-28/27B(P)-6-B	39	29.5	
CHL23-41/30B(P)-6-B			
CHL23-24/30B(P)-6-B	42	32.6	
CHL23-55/33B(P)-6-B			
CHL23-32/33B(P)-6-B	46	35.8	
CHL23-61/36B(P)-6-B			
CHL23-43/36B(P)-6-B	49	39	
CHL23-45/39B(P)-6-B			

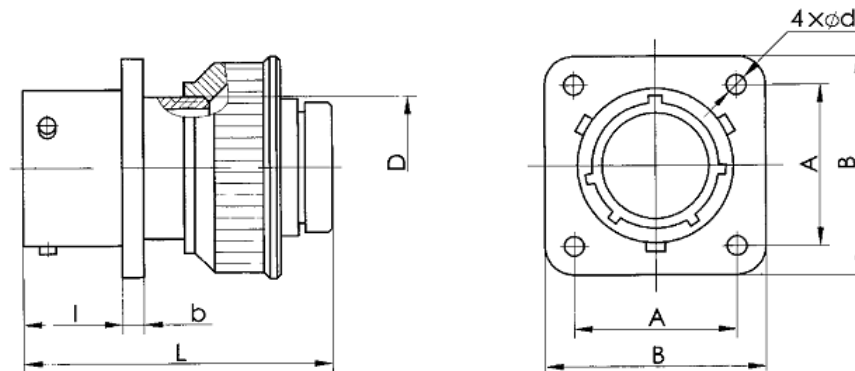
Model number	Dimensions mm			
	D	d	H	L
CHL23-4/14B(P)-8-B	22.6	14	45	69
CHL23-3/14B(P)-8-B				
CHL23-10/18B(P)-8-B	26	18.5		
CHL23-7/18B(P)-8-B				
CHL23-19/22B(P)-8-B	29.7	21.7		
CHL23-10/22B(P)-8-B				
CHL23-7/22B(P)-8-B				
CHL23-19/24B(P)-8-B	32.9	24.85		
CHL23-32/27B(P)-8-B	35.3	26.3		
CHL23-19/27B(P)-8-B				
CHL23-28/27B(P)-8-B	39	29.5		
CHL23-41/30B(P)-8-B				
CHL23-24/30B(P)-8-B	42	32.6		
CHL23-55/33B(P)-8-B				
CHL23-32/33B(P)-8-B	46	35.8		
CHL23-61/36B(P)-8-B				
CHL23-43/36B(P)-8-B	49	39		
CHL23-45/39B(P)-8-B				

◎ 11- Plug with short end attachment



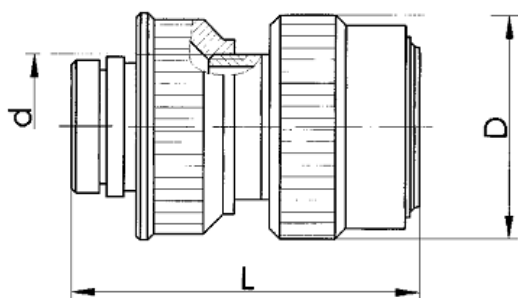
Model number	Dimensions mm		
	Dmax	d	L
CHL23-4/14B(P)-11-B	22.6	14	32.5
CHL23-3/14B(P)-11-B			
CHL23-10/18B(P)-11-B	26	18.5	
CHL23-7/18B(P)-11-B			
CHL23-19/22B(P)-11-B	29.7	21.7	
CHL23-10/22B(P)-11-B			
CHL23-7/22B(P)-11-B	32.9	24.85	
CHL23-19/24B(P)-11-B			
CHL23-32/27B(P)-11-B	35.3	26.3	
CHL23-19/27B(P)-11-B			
CHL23-28/27B(P)-11-B	39	29.5	
CHL23-41/30B(P)-11-B			
CHL23-24/30B(P)-11-B	42	32.6	
CHL23-55/33B(P)-11-B			
CHL23-32/33B(P)-11-B	46	35.8	
CHL23-61/36B(P)-11-B			
CHL23-43/36B(P)-11-B	49	39	
CHL23-45/39B(P)-11-B			

◎ 12- Receptacle with Type 09 Thermoplastic Sleeve Backing



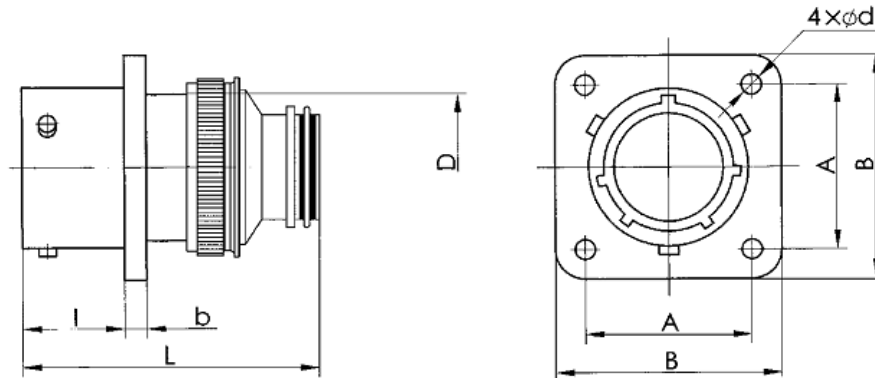
Model number	Dimensions mm						
	A	B	D	dmin	l	bmax	L
CHL23-4/14B(P)-12-B	16.5	21.7	14	2.2	11.3	1.4	50
CHL23-3/14B(P)-12-B							
CHL23-10/18B(P)-12-B	19.5	25.9	18.5				
CHL23-7/18B(P)-12-B							
CHL23-19/22B(P)-12-B	23	29.4	21.7				
CHL23-10/22B(P)-12-B							
CHL23-7/22B(P)-12-B	25	31.4	24.85				
CHL23-19/24B(P)-12-B							
CHL23-32/27B(P)-12-B	27	33.4	26.3				
CHL23-19/27B(P)-12-B							
CHL23-28/27B(P)-12-B	31	37.8	29.5				
CHL23-41/30B(P)-12-B							
CHL23-24/30B(P)-12-B	34	41.5	32.6				
CHL23-55/33B(P)-12-B							
CHL23-32/33B(P)-12-B	36.5	44.5	35.8				
CHL23-61/36B(P)-12-B							
CHL23-43/36B(P)-12-B	40	46.4	39				
CHL23-45/39B(P)-12-B							

© 13- Plug with Type 09 Thermoplastic Sleeve Backing



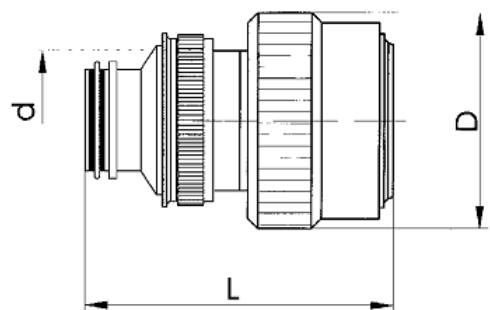
Model number	Dimensions mm		
	Dmax	d	L
CHL23-4/14B(P)-13-B	22.6	14	50
CHL23-3/14B(P)-13-B			
CHL23-10/18B(P)-13-B	26	18.5	
CHL23-7/18B(P)-13-B			
CHL23-19/22B(P)-13-B	29.7	21.7	
CHL23-10/22B(P)-13-B			
CHL23-7/22B(P)-13-B	32.9	24.85	
CHL23-19/24B(P)-13-B			
CHL23-32/27B(P)-13-B	35.3	26.3	
CHL23-19/27B(P)-13-B			
CHL23-28/27B(P)-13-B	39	29.5	
CHL23-41/30B(P)-13-B			
CHL23-24/30B(P)-13-B	42	32.6	51
CHL23-55/33B(P)-13-B			
CHL23-32/33B(P)-13-B	46	35.8	
CHL23-61/36B(P)-13-B			
CHL23-43/36B(P)-13-B	49	39	
CHL23-45/39B(P)-13-B			

◎ 15- Socket with Type 05 Shielded Straight Tail (Memory Ring)



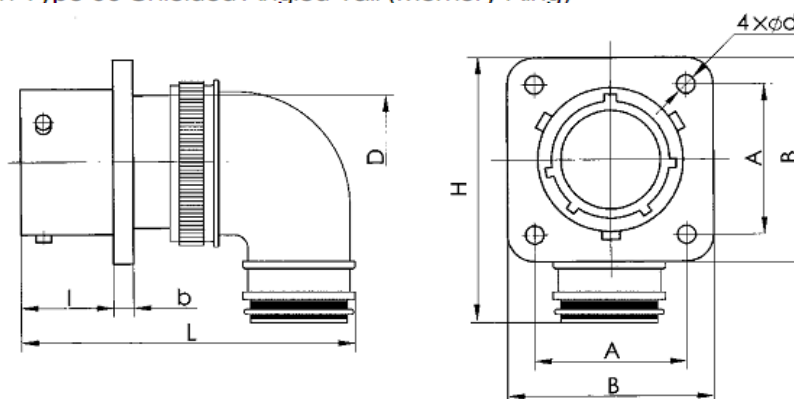
Model number	Dimensions mm							
	A	B	D	dmin	l	bmax	L	
CHLQ23-4/14B(P)-15-B	16.5	21.7	14	2.2	11.3	1.4	55	
CHLQ23-3/14B(P)-15-B			18.5					
CHLQ23-10/18B(P)-15-B	19.5	25.9	21.7					
CHLQ23-7/18B(P)-15-B			24.85					
CHLQ23-19/22B(P)-15-B	23	29.4	26.3					
CHLQ23-10/22B(P)-15-B			29.5					
CHLQ23-7/22B(P)-15-B	25	31.4	32.6					
CHLQ23-19/24B(P)-15-B			37.8					
CHLQ23-32/27B(P)-15-B	27	33.4	35.8	3.2		14.5		1.8
CHLQ23-19/27B(P)-15-B			39					
CHLQ23-28/27B(P)-15-B	31	37.8	46.4					
CHLQ23-41/30B(P)-15-B			44.5					
CHLQ23-24/30B(P)-15-B	34	41.5	39					
CHLQ23-55/33B(P)-15-B			46.4					
CHLQ23-32/33B(P)-15-B	36.5	44.5	39					
CHLQ23-61/36B(P)-15-B			46.4					
CHLQ23-43/36B(P)-15-B	40	46.4	39					
CHLQ23-45/39B(P)-15-B			46.4					

◎ 16- Plug with Type 05 Shielded Straight Tail (Memory Ring)



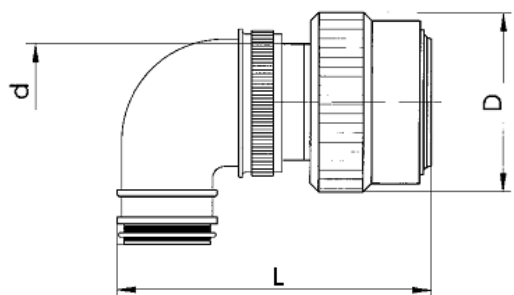
Model number	Dimensions mm		
	Dmax	d	L
CHL23-4/14B(P)-16-B	22.6	14	55
CHL23-3/14B(P)-16-B			
CHL23-10/18B(P)-16-B			
CHL23-7/18B(P)-16-B	26	18.5	
CHL23-19/22B(P)-16-B			
CHL23-10/22B(P)-16-B	29.7	21.7	
CHL23-7/22B(P)-16-B			
CHL23-19/24B(P)-16-B	32.9	24.85	
CHL23-32/27B(P)-16-B	35.3	26.3	
CHL23-19/27B(P)-16-B			
CHL23-28/27B(P)-16-B	39	29.5	
CHL23-41/30B(P)-16-B			
CHL23-24/30B(P)-16-B	42	32.6	
CHL23-55/33B(P)-16-B			
CHL23-32/33B(P)-16-B	46	35.8	
CHL23-61/36B(P)-16-B			
CHL23-43/36B(P)-16-B	49	39	
CHL23-45/39B(P)-16-B			

◎ 17 - Receptacle with Type 06 Shielded Angled Tail (Memory Ring)



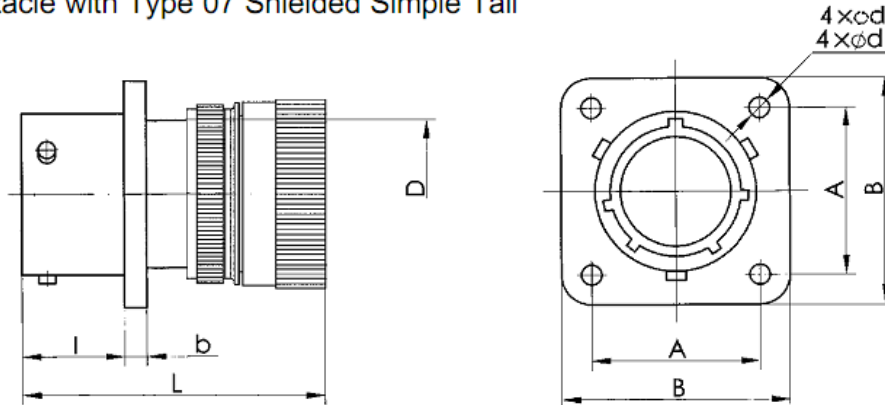
Model number	Dimensions mm							
	A	B	D	dmin	l	bmax	L	H
CHL23-4/14B(P)-17-B	16.5	21.7	14	2.2	11.3	1.4	40	69
CHL23-3/14B(P)-17-B								
CHL23-10/18B(P)-17-B								
CHL23-7/18B(P)-17-B	19.5	25.9	18.5					
CHL23-19/22B(P)-17-B								
CHL23-10/22B(P)-17-B	23	29.4	21.7					
CHL23-7/22B(P)-17-B								
CHL23-19/24B(P)-17-B	25	31.4	24.85					
CHL23-32/27B(P)-17-B	27	33.4	26.3					
CHL23-19/27B(P)-17-B								
CHL23-28/27B(P)-17-B	31	37.8	29.5					
CHL23-41/30B(P)-17-B								
CHL23-24/30B(P)-17-B	34	41.5	32.6					
CHL23-55/33B(P)-17-B								
CHL23-32/33B(P)-17-B	36.5	44.5	35.8					
CHL23-61/36B(P)-17-B								
CHL23-43/36B(P)-17-B	40	46.4	39					
CHL23-45/39B(P)-17-B								

© 18- Plug with Type 06 Shielded Angled Tail (Memory Ring)



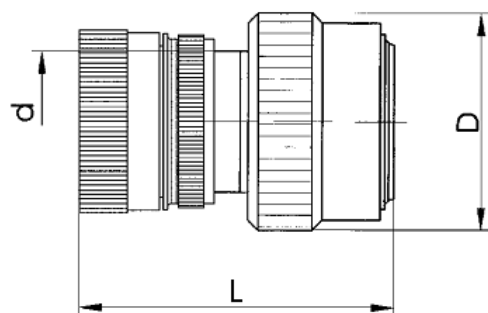
Model number	Dimensions mm		
	Dmax	d	L
CHL23-4/14B(P)-18-B	22.6	14	40
CHL23-3/14B(P)-18-B			
CHL23-10/18B(P)-18-B	26	18.5	
CHL23-7/18B(P)-18-B			
CHL23-19/22B(P)-18-B	29.7	21.7	
CHL23-10/22B(P)-18-B			
CHL23-7/22B(P)-18-B	32.9	24.85	
CHL23-19/24B(P)-18-B			
CHL23-32/27B(P)-18-B	35.3	26.3	
CHL23-19/27B(P)-18-B			
CHL23-28/27B(P)-18-B	39	29.5	
CHL23-41/30B(P)-18-B			
CHL23-24/30B(P)-18-B	42	32.6	
CHL23-55/33B(P)-18-B			
CHL23-32/33B(P)-18-B	46	35.8	
CHL23-61/36B(P)-18-B			
CHL23-43/36B(P)-18-B	49	39	
CHL23-45/39B(P)-18-B			

◎ 19- Receptacle with Type 07 Shielded Simple Tail



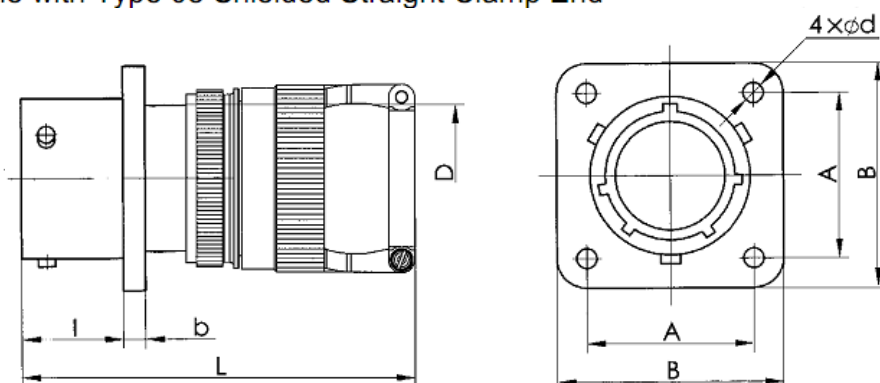
Model number	Dimensions mm						
	A	B	D	dmin	l	bmax	L
CHL23-4/14B(P)-19-B	16.5	21.7	14	2.2	11.3	1.4	56
CHL23-3/14B(P)-19-B							
CHL23-10/18B(P)-19-B	19.5	25.9	18.5	3.2		1.8	
CHL23-7/18B(P)-19-B							
CHL23-19/22B(P)-19-B	23	29.4	21.7	14.5		2.15	
CHL23-10/22B(P)-19-B							
CHL23-7/22B(P)-19-B	25	31.4	24.85	15.3		2.15	
CHL23-19/24B(P)-19-B							
CHL23-32/27B(P)-19-B	27	33.4	26.3	14.5		2.15	
CHL23-19/27B(P)-19-B							
CHL23-28/27B(P)-19-B	31	37.8	29.5	14.5	2.15		
CHL23-41/30B(P)-19-B							
CHL23-24/30B(P)-19-B	34	41.5	32.6	15.3	2.15		
CHL23-55/33B(P)-19-B							
CHL23-32/33B(P)-19-B	36.5	44.5	35.8	15.3	2.15		
CHL23-61/36B(P)-19-B							
CHL23-43/36B(P)-19-B	40	46.4	39	15.3	2.15		
CHL23-45/39B(P)-19-B							

◎ 20- Plug with Type 07 Shielded Simple Tail



Model number	Dimensions mm		
	Dmax	d	L
CHLQ23-4/14B(P)-20-B	22.6	14	56
CHLQ23-3/14B(P)-20-B			
CHLQ23-10/18B(P)-20-B	26	18.5	
CHLQ23-7/18B(P)-20-B			
CHLQ23-19/22B(P)-20-B	29.7	21.7	
CHLQ23-10/22B(P)-20-B			
CHLQ23-7/22B(P)-20-B	32.9	24.85	
CHLQ23-19/24B(P)-20-B			
CHLQ23-32/27B(P)-20-B	35.3	26.3	
CHLQ23-19/27B(P)-20-B			
CHLQ23-28/27B(P)-20-B	39	29.5	
CHLQ23-41/30B(P)-20-B			
CHLQ23-24/30B(P)-20-B	42	32.6	
CHLQ23-55/33B(P)-20-B			
CHLQ23-32/33B(P)-20-B	46	35.8	
CHLQ23-61/36B(P)-20-B			
CHLQ23-43/36B(P)-20-B	49	39	
CHLQ23-45/39B(P)-20-B			

◎ 21- Receptacle with Type 08 Shielded Straight Clamp End



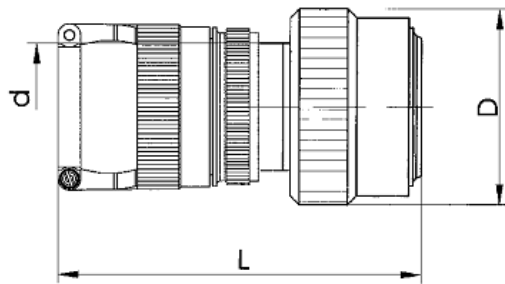
Model number	Dimensions mm							
	A	B	D	dmin	l	bmax	L	
CHLQ23-4/14B(P)-21-B	16.5	21.7	14	2.2	11.3	1.4	66	
CHLQ23-3/14B(P)-21-B								
CHLQ23-10/18B(P)-21-B	19.5	25.9	18.5	3.2		1.8		70
CHLQ23-7/18B(P)-21-B								
CHLQ23-19/22B(P)-21-B	23	29.4	21.7	3.2		1.8		
CHLQ23-10/22B(P)-21-B								
CHLQ23-7/22B(P)-21-B	25	31.4	24.85	3.2		1.8	72	
CHLQ23-19/24B(P)-21-B								
CHLQ23-32/27B(P)-21-B	27	33.4	26.3	3.2		1.8	72	
CHLQ23-19/27B(P)-21-B								
CHLQ23-28/27B(P)-21-B	31	37.8	29.5	3.2		1.8	72	
CHLQ23-41/30B(P)-21-B								
CHLQ23-24/30B(P)-21-B	34	41.5	32.6	3.2		1.8	72	
CHLQ23-55/33B(P)-21-B								
CHLQ23-32/33B(P)-21-B	36.5	44.5	35.8	3.2		2.15	78	
CHLQ23-61/36B(P)-21-B								
CHLQ23-43/36B(P)-21-B	40	46.4	39	3.2	2.15	78		
CHLQ23-45/39B(P)-21-B								

MNK**洛阳毛纽扣互连科技有限公司**

---- FUZZ BUTTON ----

Luoyang Fuzz button Interconnect Technology Co., Ltd.

◎ 22- Plug with Type 08 Shielded Straight Clamp End



Model number	Dimensions mm		
	Dmax	d	L
CHL23-4/14B(P)-22-B	22.6	14	66
CHL23-3/14B(P)-22-B			
CHL23-10/18B(P)-22-B			
CHL23-7/18B(P)-22-B	26	18.5	
CHL23-19/22B(P)-22-B	29.7	21.7	70
CHL23-10/22B(P)-22-B			
CHL23-7/22B(P)-22-B	32.9	24.85	72
CHL23-19/24B(P)-22-B			
CHL23-32/27B(P)-22-B			
CHL23-19/27B(P)-22-B	35.3	26.3	78
CHL23-28/27B(P)-22-B			
CHL23-41/30B(P)-22-B	39	29.5	78
CHL23-24/30B(P)-22-B			
CHL23-55/33B(P)-22-B	42	32.6	78
CHL23-32/33B(P)-22-B			
CHL23-61/36B(P)-22-B	46	35.8	78
CHL23-43/36B(P)-22-B			
CHL23-45/39B(P)-22-B	49	39	

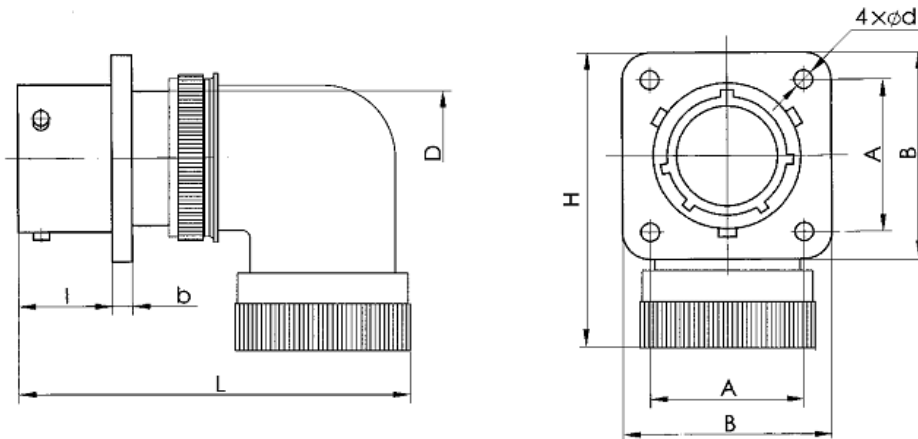
Tel: +86-18903792044

Email: lyf8805@163.com

Web: www.lymnk.com

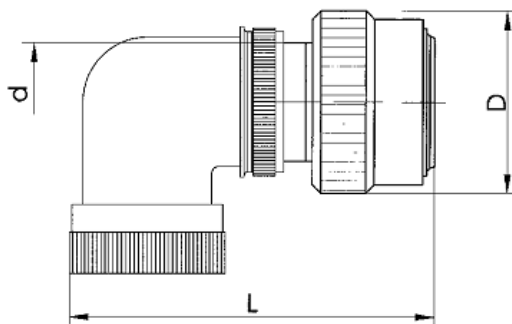
Address : Luoyang Area of China (Henan) Pilot Free Trade Zone

◎ 25- Receptacle with Type 10 Shielded Angled Tail



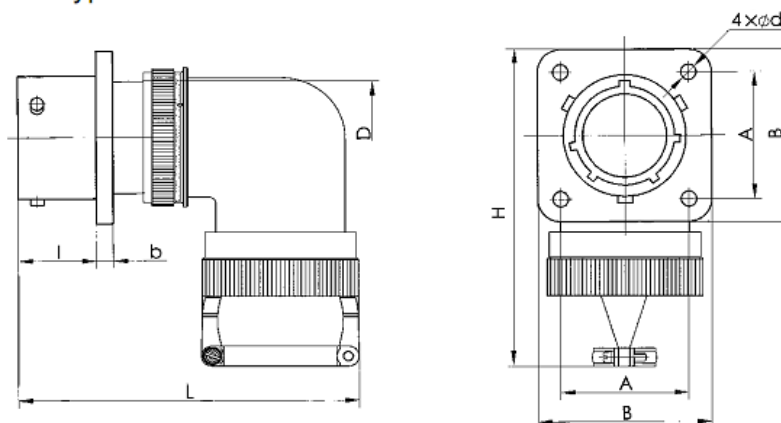
Model number	Dimensions mm							
	A	B	D	dmin	l	bmax	L	H
CHLQ23-4/14B(P)-25-B	16.5	21.7	14	2.2	11.3	1.4	66	57
CHLQ23-3/14B(P)-25-B			18.5					
CHLQ23-10/18B(P)-25-B	19.5	25.9	21.7	3.2	1.8	70		
CHLQ23-7/18B(P)-25-B			24.85					
CHLQ23-19/22B(P)-25-B	23	29.4	26.3	14.5	2.15	78		
CHLQ23-10/22B(P)-25-B			29.5					
CHLQ23-7/22B(P)-25-B	25	31.4	32.6	15.3	78			
CHLQ23-19/24B(P)-25-B			37.8					
CHLQ23-32/27B(P)-25-B	27	33.4	35.8	73				
CHLQ23-19/27B(P)-25-B			41.5					
CHLQ23-28/27B(P)-25-B	31	37.8	39	78				
CHLQ23-41/30B(P)-25-B			44.5					
CHLQ23-24/30B(P)-25-B	34	41.5	46.4	78				
CHLQ23-55/33B(P)-25-B			44.5					
CHLQ23-32/33B(P)-25-B	36.5	44.5	46.4	78				
CHLQ23-61/36B(P)-25-B			46.4					
CHLQ23-43/36B(P)-25-B	40	46.4	39	78				
CHLQ23-45/39B(P)-25-B			39					

◎ 26- Plug with Type 10 Shielded Angled Tail



Model number	Dimensions mm		
	Dmax	d	L
CHLQ23-4/14B(P)-26-B	22.6	14	66
CHLQ23-3/14B(P)-26-B			
CHLQ23-10/18B(P)-26-B	26	18.5	
CHLQ23-7/18B(P)-26-B			
CHLQ23-19/22B(P)-26-B	29.7	21.7	70
CHLQ23-10/22B(P)-26-B			
CHLQ23-7/22B(P)-26-B	32.9	24.85	
CHLQ23-19/24B(P)-26-B			
CHLQ23-32/27B(P)-26-B	35.3	26.3	72
CHLQ23-19/27B(P)-26-B			
CHLQ23-28/27B(P)-26-B	39	29.5	
CHLQ23-41/30B(P)-26-B			
CHLQ23-24/30B(P)-26-B	42	32.6	78
CHLQ23-55/33B(P)-26-B			
CHLQ23-32/33B(P)-26-B	46	35.8	
CHLQ23-61/36B(P)-26-B			
CHLQ23-43/36B(P)-26-B	49	39	
CHLQ23-45/39B(P)-26-B			

◎ 27- Receptacle with Type 11 Shielded Flex Cable Tail Attachment



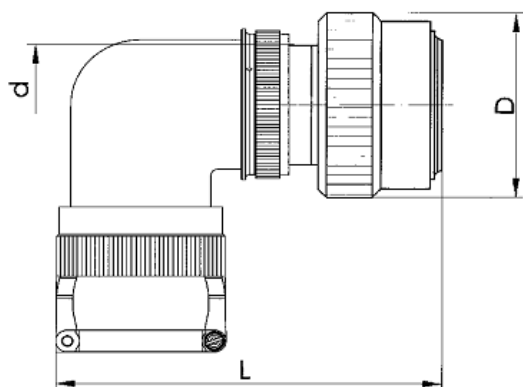
Model number	Dimensions mm								
	A	B	D	dmin	l	bmax	L	H	
CHL23-4/14B(P)-27-B	16.5	21.7	14	2.2	11.3	1.4	66	51	
CHL23-3/14B(P)-27-B			18.5						
CHL23-10/18B(P)-27-B	19.5	25.9	21.7						
CHL23-7/18B(P)-27-B			24.85						
CHL23-19/22B(P)-27-B	23	29.4	26.3						
CHL23-10/22B(P)-27-B			31						
CHL23-7/22B(P)-27-B	25	31.4	29.5						
CHL23-19/24B(P)-27-B			37.8						
CHL23-32/27B(P)-27-B	27	33.4	32.6	3.2		14.5	1.8	72	87
CHL23-19/27B(P)-27-B			39						
CHL23-28/27B(P)-27-B	31	37.8	35.8						
CHL23-41/30B(P)-27-B			46.4						
CHL23-24/30B(P)-27-B	34	41.5	39						
CHL23-55/33B(P)-27-B			44.5						
CHL23-32/33B(P)-27-B	36.5	44.5	39						
CHL23-61/36B(P)-27-B			46.4						
CHL23-43/36B(P)-27-B	40	46.4	39						
CHL23-45/39B(P)-27-B			46.4						

MNK**洛阳毛纽扣互连科技有限公司**

---- FUZZ BUTTON ----

Luoyang Fuzz button Interconnect Technology Co., Ltd.

© 28- Plug with Type 11 Shielded Angled Wire Tail Attachment



Model number	Dimensions mm		
	Dmax	d	L
CHL23-4/14B(P)-28-B	22.6	14	66
CHL23-3/14B(P)-28-B			
CHL23-10/18B(P)-28-B	26	18.5	72
CHL23-7/18B(P)-28-B			
CHL23-19/22B(P)-28-B	29.7	21.7	72
CHL23-10/22B(P)-28-B			
CHL23-7/22B(P)-28-B	32.9	24.85	72
CHL23-19/24B(P)-28-B			
CHL23-32/27B(P)-28-B	35.3	26.3	72
CHL23-19/27B(P)-28-B			
CHL23-28/27B(P)-28-B	39	29.5	78
CHL23-41/30B(P)-28-B			
CHL23-24/30B(P)-28-B	42	32.6	78
CHL23-55/33B(P)-28-B			
CHL23-32/33B(P)-28-B	46	35.8	78
CHL23-61/36B(P)-28-B			
CHL23-43/36B(P)-28-B	49	39	78
CHL23-45/39B(P)-28-B			

Tel: +86-18903792044

Email: lyf8805@163.com

Web: www.lymnk.com

Address : Luoyang Area of China (Henan) Pilot Free Trade Zone